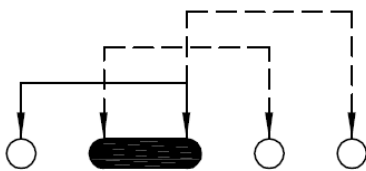
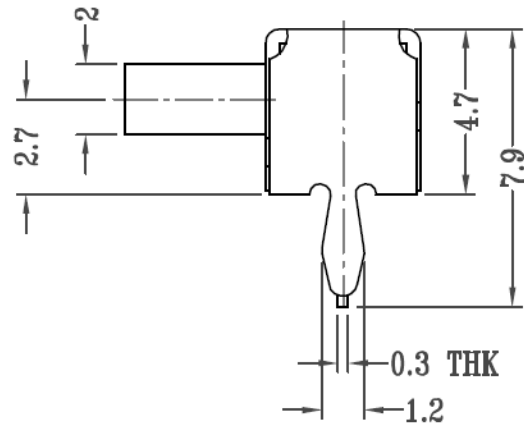
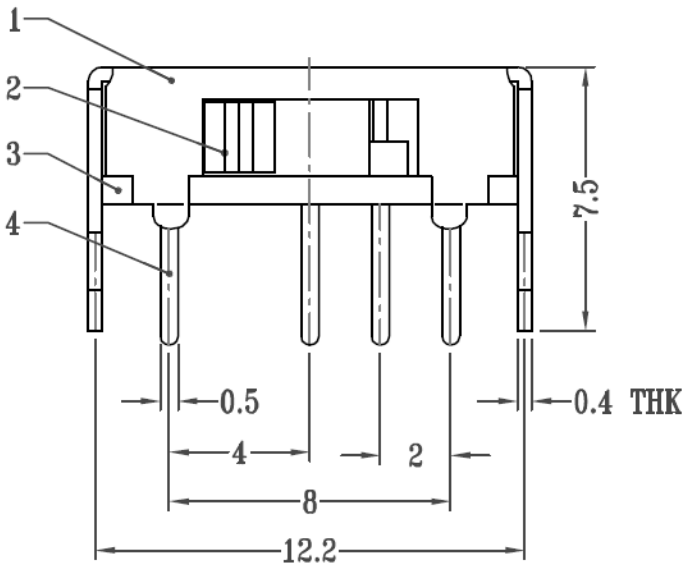


**P.C.B LAYOUT
BOTTOM VIEW**



SCHEMATIC (SHORTING)

6	SPRING PLATE	PBS STRIP	1	NATURAL
5	CONTACT CLIP	PBS STRIP	1	Ag CLAD
4	TERMINAL	BRASS STRIP	4	Ag PLATED
3	BASE	PHENOLIC RESIN	1	NATURAL
2	KNOB	NYLON+F.G	1	BLACK
1	FRAME	STEEL STRIP	1	Ni PLATED
NO	PART NAME	MATERIAL	Q'TY	FINISHING



銓基電子股份有限公司
ROKI ELECTRONICS CO., LTD.

PART NAME : SLIDE SWITCH

SCALE :

PART NO : ST13002-V-S6-PF

UNIT : mm

TOLERANCE : WITHIN 1.5±0.1 mm/
OVER 1.5±0.2 mm



VER : R04